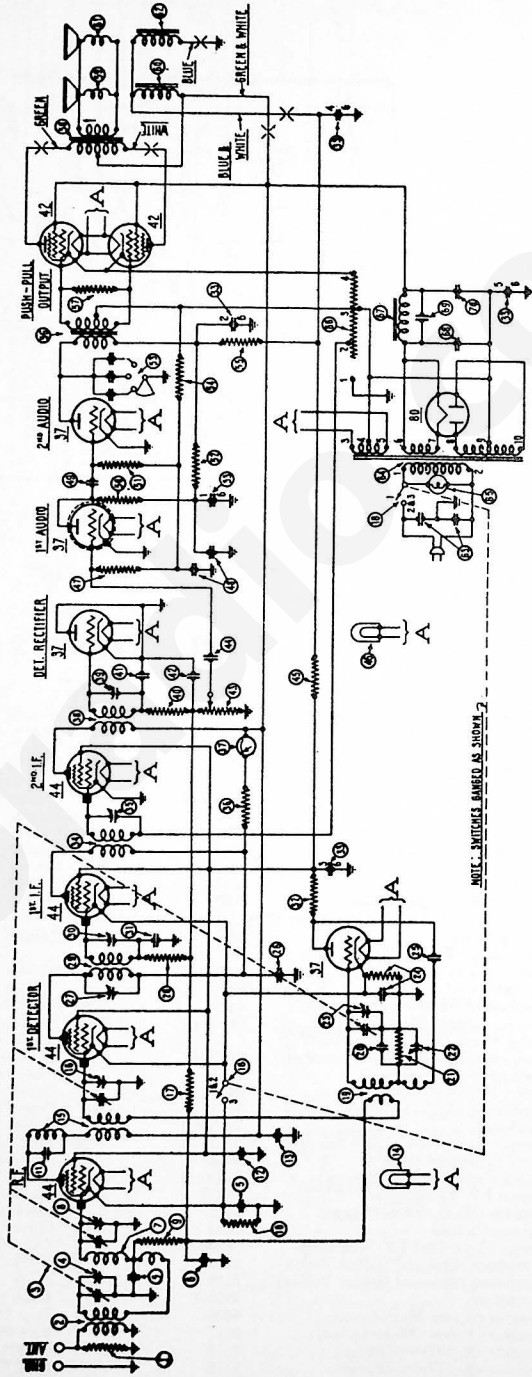
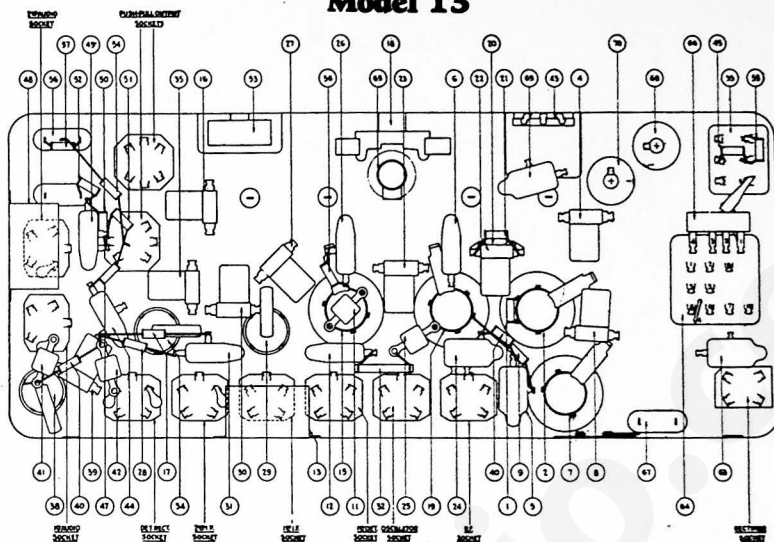


Model 15



Model 15



REPLACEMENT PARTS MODEL 15

No. on Figs. 1 and 2	Description	Part No.
①	Resistor (10,000 ohms)	4412
②	First R. F. Coil	04081
③	Tuning Condenser Assembly	04041
④	Compensating Condenser—First Antenna	04000-E
⑤	Condenser (.05 mfd.) Double	3615-AM
⑥	Condenser (.05 mfd.)	3615-L
⑦	Second R. F. Coil	04082
⑧	Compensating Condenser—Second Antenna	04000-E
⑨	Resistor (490,000 ohms)	4517
⑩	Resistor (100,000 ohms)	4531
⑪	Condenser (35 mmf.)	4090
⑫	Condenser (.09 mfd.)	4099-D
⑬	Condenser (.25 mfd.)	4264
⑭	Pilot Light	0603
⑮	Detector Transformer	3884-V
⑯	Compensating Condenser—Detector	04000-E
⑰	Resistor (490,000 ohms)	4517
⑱	Distance Switch and Power Switch	6428
⑲	Oscillator Coil	04083
⑳	Condens. (.700 mmf.)	4520
㉑	Resistor (51,000 ohms)	4515
㉒	Compensating Condenser—Low Fre- quency	04000-F
㉓	Compensating Condenser—High Fre- quency	04000-E
㉔	Condenser (.09 mfd. and 200 ohm Resistor)	4099-R
㉕	Condenser (.10 mfd.)	4519
㉖	Condenser (.05 mmf.)	3615-J
㉗	Compensating Condenser—First I. F. Primary	04000-J
㉘	Resistor (1,000,000 ohms)	4400
㉙	First I. F. Transformer	03028
㉚	Compensating Condenser—First I. F. Secondary	04000-J
㉛	Condenser (.05 mfd.)	3615-J
㉜	Resistor (13,000 ohms)	4706
㉝	Filter Condenser (.018, 3-A, 1. mfd.) 50-60 cycles	03480
㉞	Second I. F. Transformer	04079
㉟	Compensating Condenser—Second I. F. Secondary	04000-J
㊱	Resistor (1,000 ohms)	0537
㊲	Shadow Tuning Meter	0487
㊳	Third I. F. Transformer	03345
㊴	Compensating Condenser—Third I. F. Secondary	04000-J
㊵	Resistor (90,000 ohms)	4411
㊶	Condenser (.110 mmf.)	4519
㊷	Condenser (.110 mmf.)	4519
㊸	Volume Control	404

No. on Figs. 1 and 2	Description	Part No.
㊹	Condenser (.01 mfd.)	3003-AD
㊺	Resistor (5,000 ohms)	5310
㊻	Pilot Light (Shadow Tuning)	0606
㊼	Resistor (.1,000,000 ohms)	4400
㊽	Condenser (.25 mfd. Double)	3557
㊾	Condenser (.01 mfd.)	3003-T
㊿	Resistor (25,000 ohms)	4516
①	Resistor (1,000,000 ohms)	4409
②	Resistor (10,000 ohms)	4412
③	Tone Control	04737
④	Resistor (400,000 ohms)	4517
⑤	Resistor (5,000 ohms)	5310
⑥	Input Transformer	5082
⑦	Resistor (340,000 ohms) across volume control cable—not illustrated	4410
⑧	Output Transformer	2565
⑨	Condenser (.002 Mfd.) Blue—across primary of output transformer—not illustrated	6653
⑩	Voice Coil and Core Assembly (Large) H-7	02007
⑪	Field Coil Assembled with Pot (H-7)	02770
⑫	Voice Coil and Core Assembly (Small) K-12	02823
⑬	Field Coil Assembled with Pot (K-12)	02803
⑭	Condenser (.015 mfd. Double)	3703-E
⑮	Power Transformer (50-00 cycles)	0672
⑯	Power Transformer (23-40 cycles)	0673
⑰	Power Transformer (30-60 cycles, 230 volts)	0674
⑱	Cabinet Lamp	0900
⑲	Resistor (30 ohms, 50 ohms, 205 ohms)	6700
㉑	Filter Choke	3422
㉒	Electrolytic Condenser (6 mfd.)	6707
㉓	Condenser (.18 mfd.)	4099-K
㉔	Electrolytic Condenser (6 Mfd.)	6708
㉕	Knob (Large)	02008
㉖	Knob (Medium)	02004
㉗	Knob (Small)	02037
㉘	Knob Spring (Large)	4147
㉙	Knob Spring (Small)	5263
㉚	Tube Shield	04062
㉛	Grid Clips	4097
㉜	Four Prong Socket	0206
㉝	Five Prong Socket	4096
㉞	Six Prong Socket	4417
㉟	Dial Bush	4276
①	Bracket	6433
②	Pilot Bracket Complete	00016
③	Cabinet Lamp Socket	0894
④	Cabinet Lamp Socket Insulator	0895
⑤	Core Retaining Ring	3000